

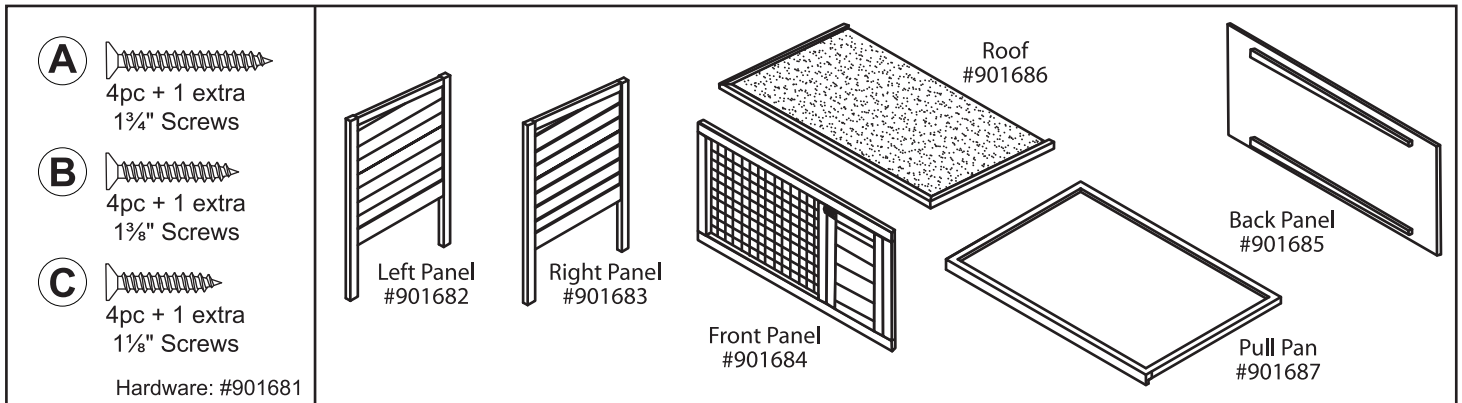


Evergreen Rabbit Hutch

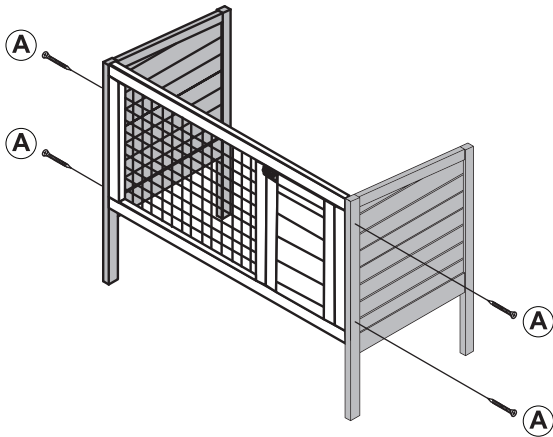
Assembly Instructions

Item #14072

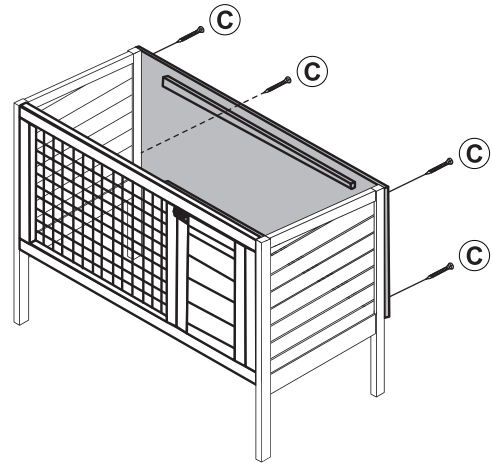
#30014072



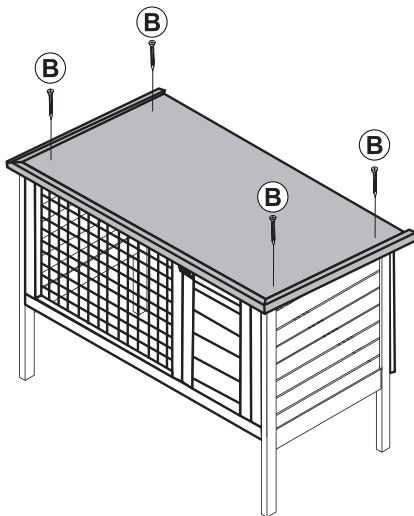
Step 1 Attach the Right Panel and the Left Panel to the Front Panel using 4 – 1 3/4" screws (A).



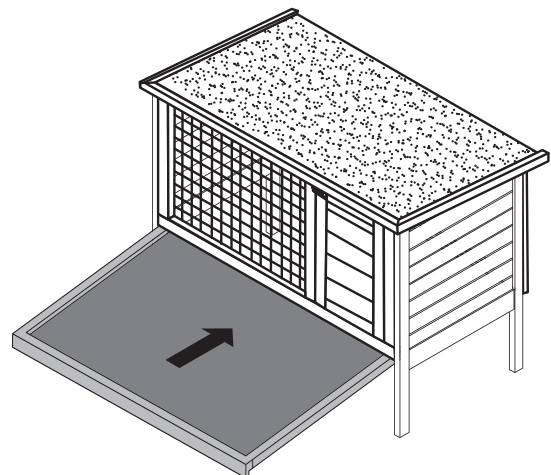
Step 2 Secure the Back Panel to the hutch using 4 – 1 1/8" screws (C).



Step 3 Attach Roof to hutch with 4 – 1 3/8" screws (B).



Step 4 Slide the Pull Pan into the hutch.



Care Tip

To protect the wood on your hutch you need to re-apply the protective stain finish at least 1x each year. Use a safe and non-toxic water based stain (available at your local paint or hardware center). Keep hutch in a safe area away from high winds and extreme temperatures.

If you have any questions or concerns about this product contact our customer service department at 1-800-295-2243 Mon-Fri 8:00 – 4:00 MST, or email us at cs@waremfginc.com.